

# SEALED MOMENTARY CABLE SWITCH

NEW PRODUCT BULLETIN 619

## FEATURES & BENEFITS

- Waterproof and Dustproof to IP67
- Rated for 0.25 Amps, 30W max AC, non-inductive load
- Available in 8 different configurations, allowing for a wide range of circuit configurations and cable diameters (see details and schematics on pg. 2)
- Tested for a minimum of 20,000 Cycles  
48VDC, 0.25 Amps (50 m $\Omega$  max)  
125VAC, 0.25 Amps (50 m $\Omega$  max)
- Easy field installation

## APPLICATIONS

- Traffic control override
- Outdoor instrument applications
- Industrial controls
- Outdoor amusement applications
- Nurse call switches or infusion pumps

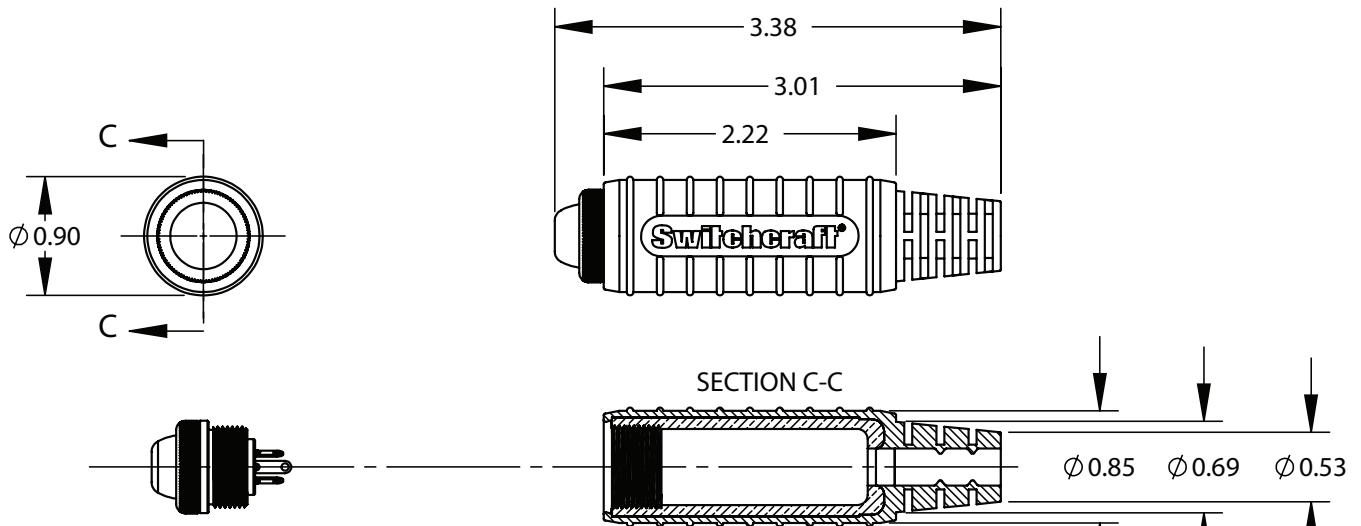


# Switchcraft®



# SEALED MOMENTARY CABLE SWITCH

NEW PRODUCT BULLETIN 619



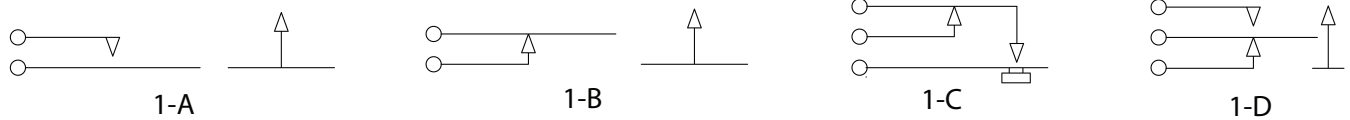
**913S/913DS MOMENTARY SWITCH**  
 Housing - Nickel plated copper alloy  
 Button seal - Thermoplastic, black  
 Insulators - Rigid plastic  
 Terminals - Silver plated copper alloy  
 O-ring - Thermoplastic rubber

**SEALING HANDLE**  
 Handle - Thermoplastic, black  
 Overmold - Thermoplastic rubber, black

**NOTES:**

1. Completed assembly on acceptable cable shall meet IP67 rating.
2. Outer jacket of cable used in assembly must be smooth, round, flexible, and fall within the specified cable range per the handle.
3. Using cable OD closer to the cable range maximum per handle will ensure a more robust seal.
4. Button and O-ring shipped unassembled.
5. This part is RoHS compliant.

**SCHMATIC**



ASSEMBLY PART NUMBER	BUTTON PART NUMBER	BUTTON CIRCUIT	CABLE NOMINAL O.D. RANGE
EP913S14	913S	1 - A	0.140 - 0.170
EP913S17		1 - B	0.170 - 0.200
EP913S20		1 - C	0.200 - 0.230
EP913S23		1 - C	0.230 - 0.255
EP913DS14	913DS	1 - A	0.140 - 0.170
EP913DS17		1 - B	0.170 - 0.200
EP913DS20		1 - D	0.200 - 0.230
EP913DS23		1 - D	0.230 - 0.255

All dimensions are for reference only.

